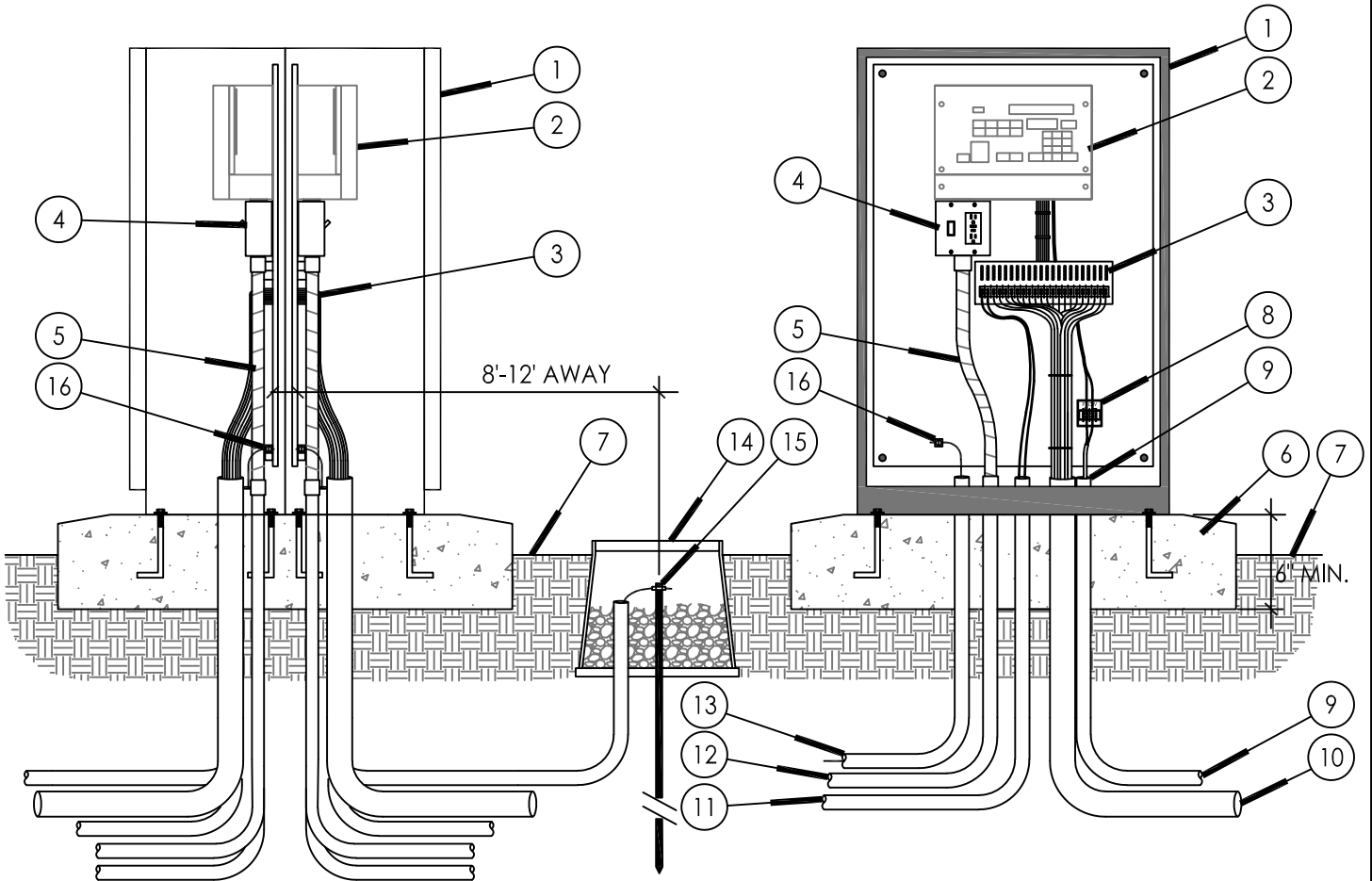


SIDE VIEW

FRONT VIEW



- | | |
|---|--|
| <ul style="list-style-type: none"> ① STRONGBOX STAINLESS STEEL NEMA 3R RAINPROOF ENCLOSURE (UL LISTED). ② SATELLITE ASSEMBLY. ASSEMBLED ON BACKBOARD BY SITEONE GREEN TECH. ③ TERMINAL STRIP FOR VALVE WIRES. ④ POWER SWITCH / GFCI RECEPTACLE. ⑤ ELECTRICAL FLEX CONDUIT FOR POWER. ⑥ 6" MIN THICK, CONCRETE PAD WITH ANCHOR BOLTS PER MANUFACTURER RECOMMENDATIONS. ⑦ FINISHED GRADE. ⑧ FLOW SENSOR TERMINAL BOARD. | <ul style="list-style-type: none"> ⑨ 1" CONDUIT AND SWEEP ELL WITH FLOW SENSOR CABLE. ⑩ 3" CONDUIT AND SWEEP ELL FOR LEAD WIRES. ⑪ 1" CONDUIT AND SWEEP ELL FOR MASTER VALVE WIRES. ⑫ 1" CONDUIT AND SWEEP ELL FOR 110 VAC POWER LINE. ⑬ 1" CONDUIT AND SWEEP ELL FOR GROUND WIRE. ⑭ 10" ROUND VALVE BOX AROUND GROUND ROD. FILL WITH 3/4" CRUSHED ROCK. ⑮ 5/8" X 8' GROUND ROD WITH #6 GROUND WIRE AND CLAMP. LOCATE 8'-12' FROM ENCLOSURE. ⑯ #6 GROUND WIRE SECURED TO BACKBOARD GROUNDING TERMINAL. |
|---|--|

NOTE: SEE IRRIGATION LEGEND CALL OUT FOR INCLUDED OPTIONS. SUGGESTED CONDUIT SIZES MAY NEED TO BE LARGER.

SA4 - STRONGBOX: SB-24DSS (24"W x 36"H x 24"D)
FRONT & REAR ENTRY ENCLOSURE - CONCRETE PAD

④ SATELLITE ASSEMBLY (SA)

