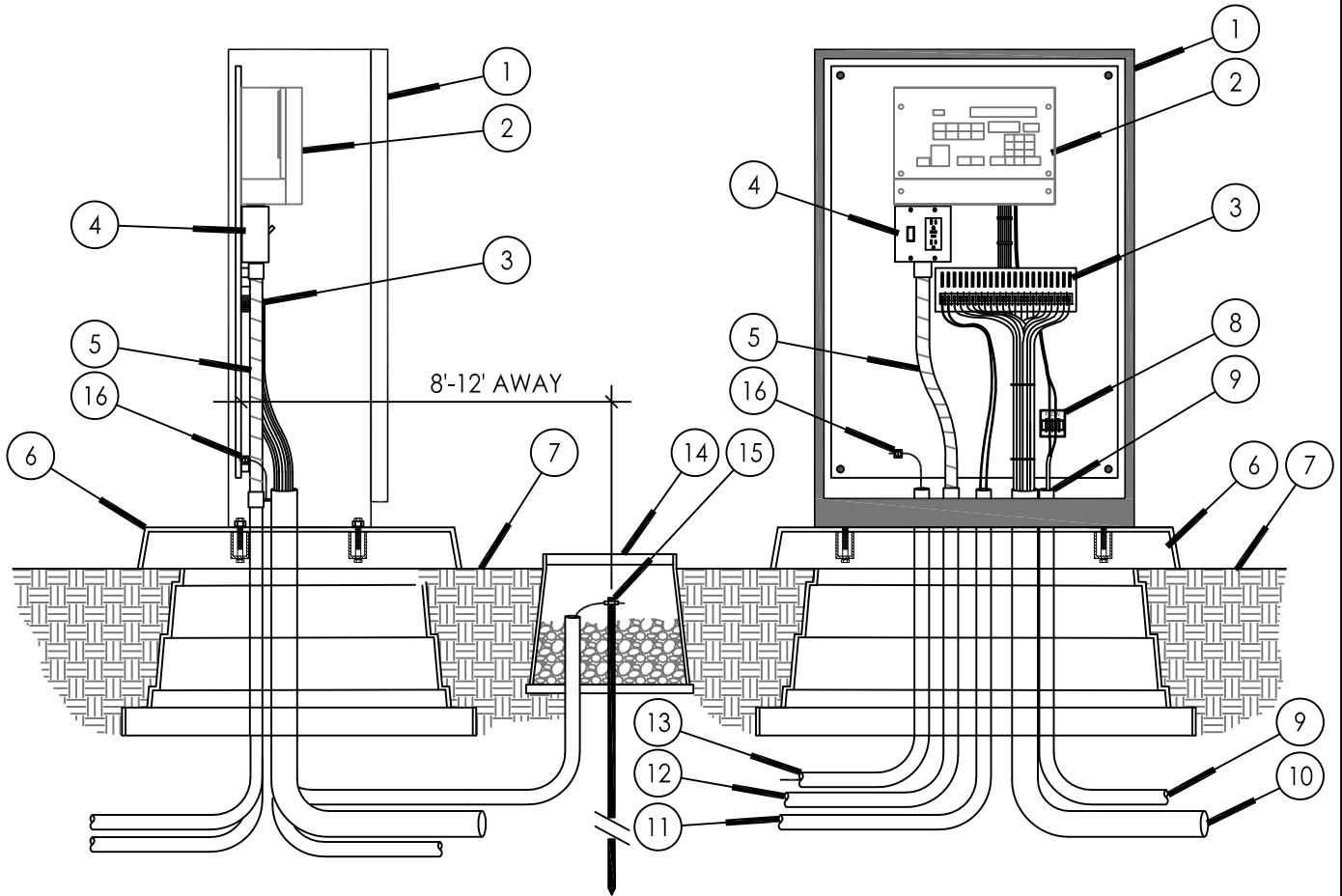


SIDE VIEW

FRONT VIEW



- | | |
|---|---|
| <p>① STRONGBOX STAINLESS STEEL NEMA 3R RAINPROOF ENCLOSURE (UL LISTED).</p> <p>② SATELLITE ASSEMBLY. ASSEMBLED ON BACKBOARD BY SITEONE GREEN TECH.</p> <p>③ TERMINAL STRIP FOR VALVE WIRES.</p> <p>④ POWER SWITCH / GFCI RECEPTACLE.</p> <p>⑤ ELECTRICAL FLEX CONDUIT FOR POWER.</p> <p>⑥ EMP-24, STRONGBOX QUICK-PAD. FILL WITH 3/4" CRUSHED ROCK.</p> <p>⑦ FINISHED GRADE.</p> <p>⑧ FLOW SENSOR TERMINAL BOARD.</p> | <p>⑨ 1" CONDUIT AND SWEEP ELL WITH FLOW SENSOR CABLE.</p> <p>⑩ 3" CONDUIT AND SWEEP ELL FOR LEAD WIRES.</p> <p>⑪ 1" CONDUIT AND SWEEP ELL FOR MASTER VALVE WIRES.</p> <p>⑫ 1" CONDUIT AND SWEEP ELL FOR 110 VAC POWER LINE.</p> <p>⑬ 1" CONDUIT AND SWEEP ELL FOR GROUND WIRE.</p> <p>⑭ 10" ROUND VALVE BOX AROUND GROUND ROD. FILL WITH 3/4" CRUSHED ROCK.</p> <p>⑮ 5/8" X 8' GROUND ROD WITH #6 GROUND WIRE AND CLAMP. LOCATE 8'-12' FROM ENCLOSURE.</p> <p>⑯ #6 GROUND WIRE SECURED TO BACKBOARD GROUNDING TERMINAL.</p> |
|---|---|

NOTE: SEE IRRIGATION LEGEND CALL OUT FOR INCLUDED OPTIONS. SUGGESTED CONDUIT SIZES MAY NEED TO BE LARGER.

SA3 - STRONGBOX: SB-24SS (24"W x 36"H x 12"D)
FRONT ENTRY ENCLOSURE - EMP-24



③ SATELLITE ASSEMBLY (SA)