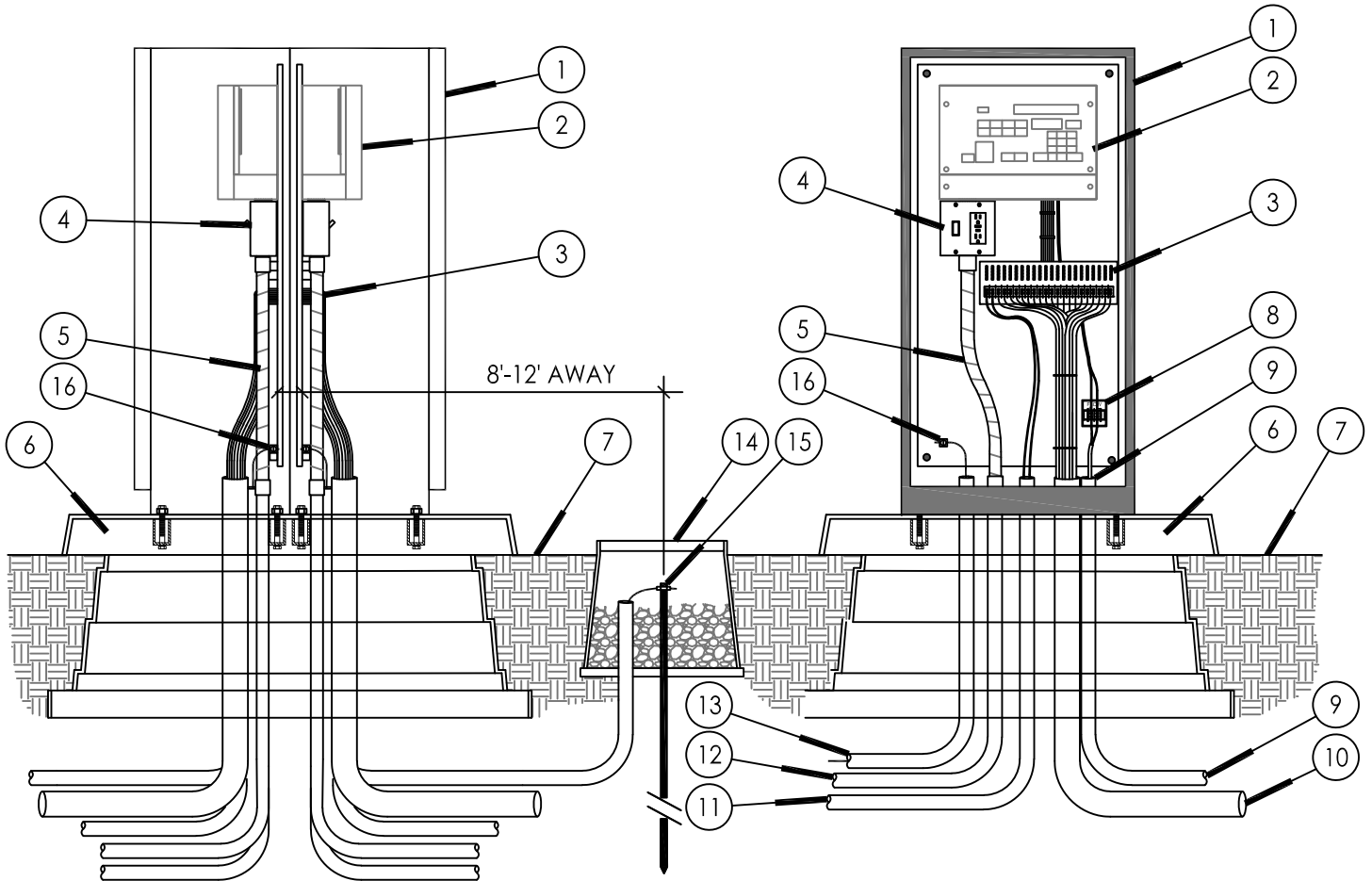


SIDE VIEW

FRONT VIEW



- ① STRONGBOX STAINLESS STEEL NEMA 3R RAINPROOF ENCLOSURE (UL LISTED).
- ② SATELLITE ASSEMBLY. ASSEMBLED ON BACKBOARD BY SITEONE GREEN TECH.
- ③ TERMINAL STRIP FOR VALVE WIRES.
- ④ POWER SWITCH / GFCI RECEPTACLE.
- ⑤ ELECTRICAL FLEX CONDUIT FOR POWER.
- ⑥ EMP-18D, STRONGBOX QUICK-PAD. FILL WITH 3/4" CRUSHED ROCK.
- ⑦ FINISHED GRADE.
- ⑧ FLOW SENSOR TERMINAL BOARD.
- ⑨ 1" CONDUIT AND SWEEP ELL WITH FLOW SENSOR CABLE.
- ⑩ 3" CONDUIT AND SWEEP ELL FOR LEAD WIRES.
- ⑪ 1" CONDUIT AND SWEEP ELL FOR MASTER VALVE WIRES.
- ⑫ 1" CONDUIT AND SWEEP ELL FOR 110 VAC POWER LINE.
- ⑬ 1" CONDUIT AND SWEEP ELL FOR GROUND WIRE.
- ⑭ 10" ROUND VALVE BOX AROUND GROUND ROD. FILL WITH 3/4" CRUSHED ROCK.
- ⑮ 5/8" X 8' GROUND ROD WITH #6 GROUND WIRE AND CLAMP. LOCATE 8'-12' FROM ENCLOSURE.
- ⑯ #6 GROUND WIRE SECURED TO BACKBOARD GROUNDING TERMINAL.

NOTE: SEE IRRIGATION LEGEND CALL OUT FOR INCLUDED OPTIONS. SUGGESTED CONDUIT SIZES MAY NEED TO BE LARGER.

SA2 - STRONGBOX: SB-18DSS (18"W x 36"H x 24"D)
FRONT & REAR ENTRY ENCLOSURE - EMP-18D

② SATELLITE ASSEMBLY (SA)

