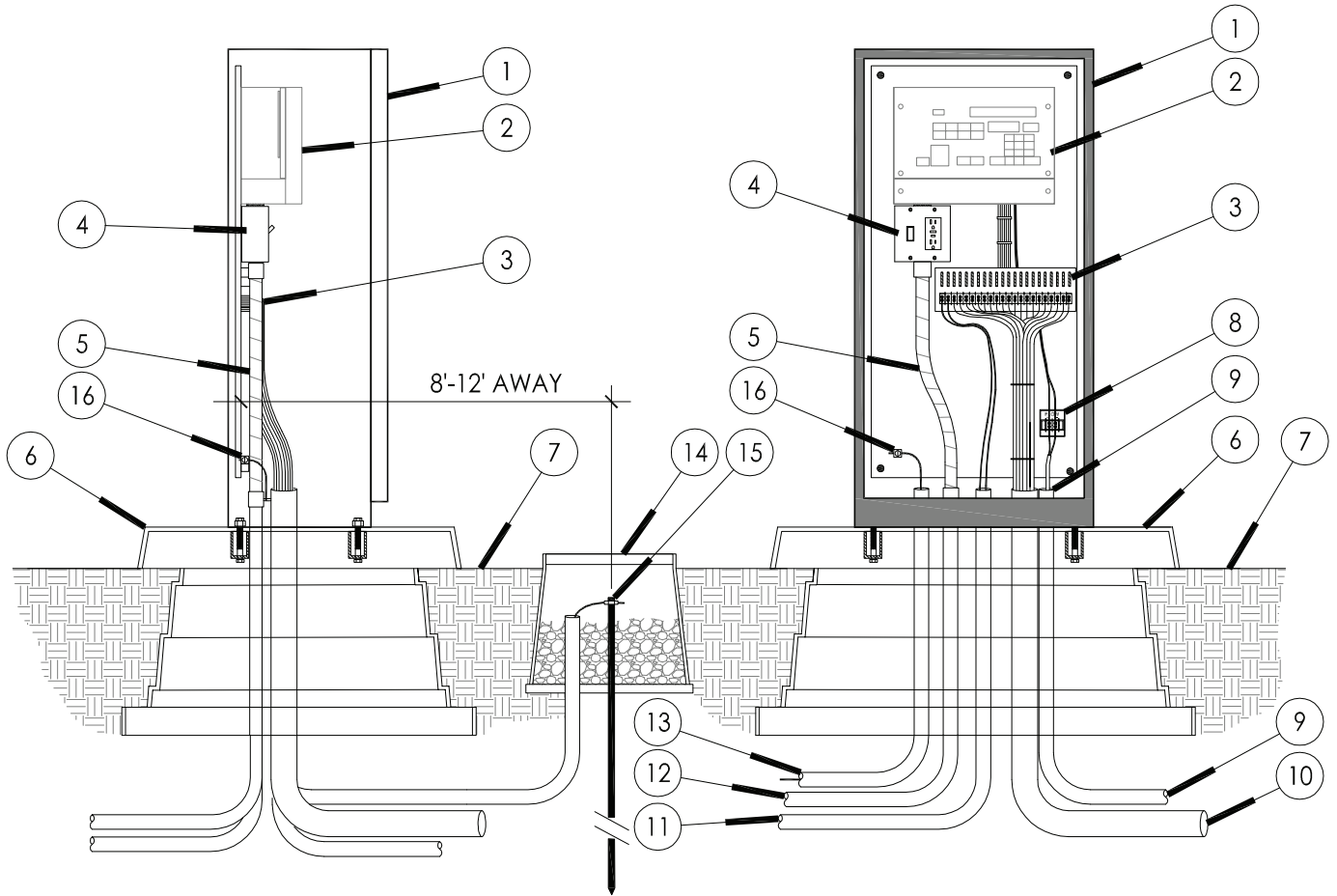


SIDE VIEW

FRONT VIEW



- |  |  |
|--|--|
| <ul style="list-style-type: none"> <li>① STRONGBOX STAINLESS STEEL NEMA 3R RAINPROOF ENCLOSURE (UL LISTED).</li> <li>② SATELLITE ASSEMBLY. ASSEMBLED ON BACKBOARD BY SITEONE GREEN TECH.</li> <li>③ TERMINAL STRIP FOR VALVE WIRES.</li> <li>④ POWER SWITCH / GFCI RECEPTACLE.</li> <li>⑤ ELECTRICAL FLEX CONDUIT FOR POWER.</li> <li>⑥ EMP-18, STRONGBOX QUICK-PAD. FILL WITH 3/4" CRUSHED ROCK.</li> <li>⑦ FINISHED GRADE.</li> <li>⑧ FLOW SENSOR TERMINAL BOARD.</li> </ul> | <ul style="list-style-type: none"> <li>⑨ 1" CONDUIT AND SWEEP ELL WITH FLOW SENSOR CABLE.</li> <li>⑩ 3" CONDUIT AND SWEEP ELL FOR LEAD WIRES.</li> <li>⑪ 1" CONDUIT AND SWEEP ELL FOR MASTER VALVE WIRES.</li> <li>⑫ 1" CONDUIT AND SWEEP ELL FOR 110 VAC POWER LINE.</li> <li>⑬ 1" CONDUIT AND SWEEP ELL FOR GROUND WIRE.</li> <li>⑭ 10" ROUND VALVE BOX AROUND GROUND ROD. FILL WITH 3/4" CRUSHED ROCK.</li> <li>⑮ 5/8" X 8' GROUND ROD WITH #6 GROUND WIRE AND CLAMP. LOCATE 8'-12' FROM ENCLOSURE.</li> <li>⑯ #6 GROUND WIRE SECURED TO BACKBOARD GROUNDING TERMINAL.</li> </ul> |
|--|--|

NOTE: SEE IRRIGATION LEGEND CALL OUT FOR INCLUDED SATELLITE COMMUNICATION COMPONENTS. SUGGESTED CONDUIT SIZES MAY NEED TO BE LARGER.

**SA1 - STRONGBOX: SB-18SS (18"W x 36"H x 12"D)  
FRONT ENTRY ENCLOSURE - EMP-18**

**① SATELLITE ASSEMBLY (SA SERIES)**

**SiteOne™**  
Green Tech  
TEL: (800) 427-0779  
FAX: (866) 477-9873  
www.greentech.siteone.com