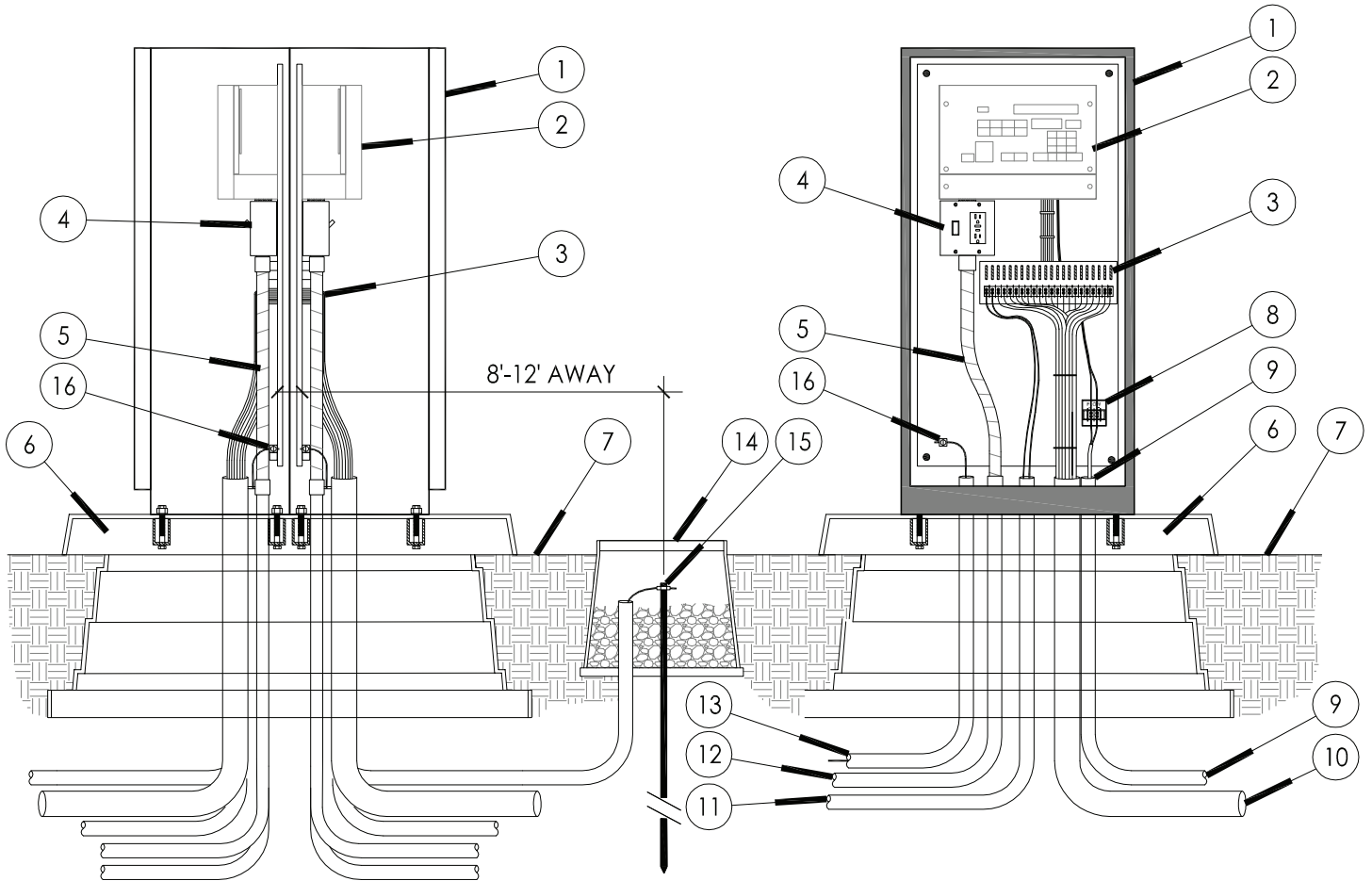


SIDE VIEW

FRONT VIEW



- | | |
|--|--|
| <ul style="list-style-type: none"> ① STRONGBOX STAINLESS STEEL NEMA 3R RAINPROOF ENCLOSURE (UL LISTED). ② CONTROLLER ASSEMBLY. ASSEMBLED ON BACKBOARD BY SITEONE GREEN TECH. ③ TERMINAL STRIP FOR VALVE WIRES. ④ POWER SWITCH / GFCI RECEPTACLE. ⑤ ELECTRICAL FLEX CONDUIT FOR POWER. ⑥ EMP-18D, STRONGBOX QUICK-PAD. FILL WITH 3/4" CRUSHED ROCK. ⑦ FINISHED GRADE. ⑧ FLOW SENSOR TERMINAL BOARD. | <ul style="list-style-type: none"> ⑨ 1" CONDUIT AND SWEEP ELL WITH FLOW SENSOR CABLE. ⑩ 3" CONDUIT AND SWEEP ELL FOR LEAD WIRES. ⑪ 1" CONDUIT AND SWEEP ELL FOR MASTER VALVE WIRES. ⑫ 1" CONDUIT AND SWEEP ELL FOR 110 VAC POWER LINE. ⑬ 1" CONDUIT AND SWEEP ELL FOR GROUND WIRE. ⑭ 10" ROUND VALVE BOX AROUND GROUND ROD. FILL WITH 3/4" CRUSHED ROCK. ⑮ 5/8" X 8' GROUND ROD WITH #6 GROUND WIRE AND CLAMP. LOCATE 8'-12' FROM ENCLOSURE. ⑯ #6 GROUND WIRE SECURED TO BACKBOARD GROUNDING TERMINAL. |
|--|--|

NOTE: SEE IRRIGATION LEGEND CALL OUT FOR INCLUDED OPTIONS. SUGGESTED CONDUIT SIZES MAY NEED TO BE LARGER.

**CA2 - STRONGBOX: SB-18DSS (18"W x 36"H x 24"D)
FRONT & REAR ENTRY ENCLOSURE - EMP-18D**

② CONTROLLER ASSEMBLY (CA SERIES)

SiteOne™
Green Tech
TEL: (800) 427-0779
FAX: (866) 477-9873
www.greentech.siteone.com